

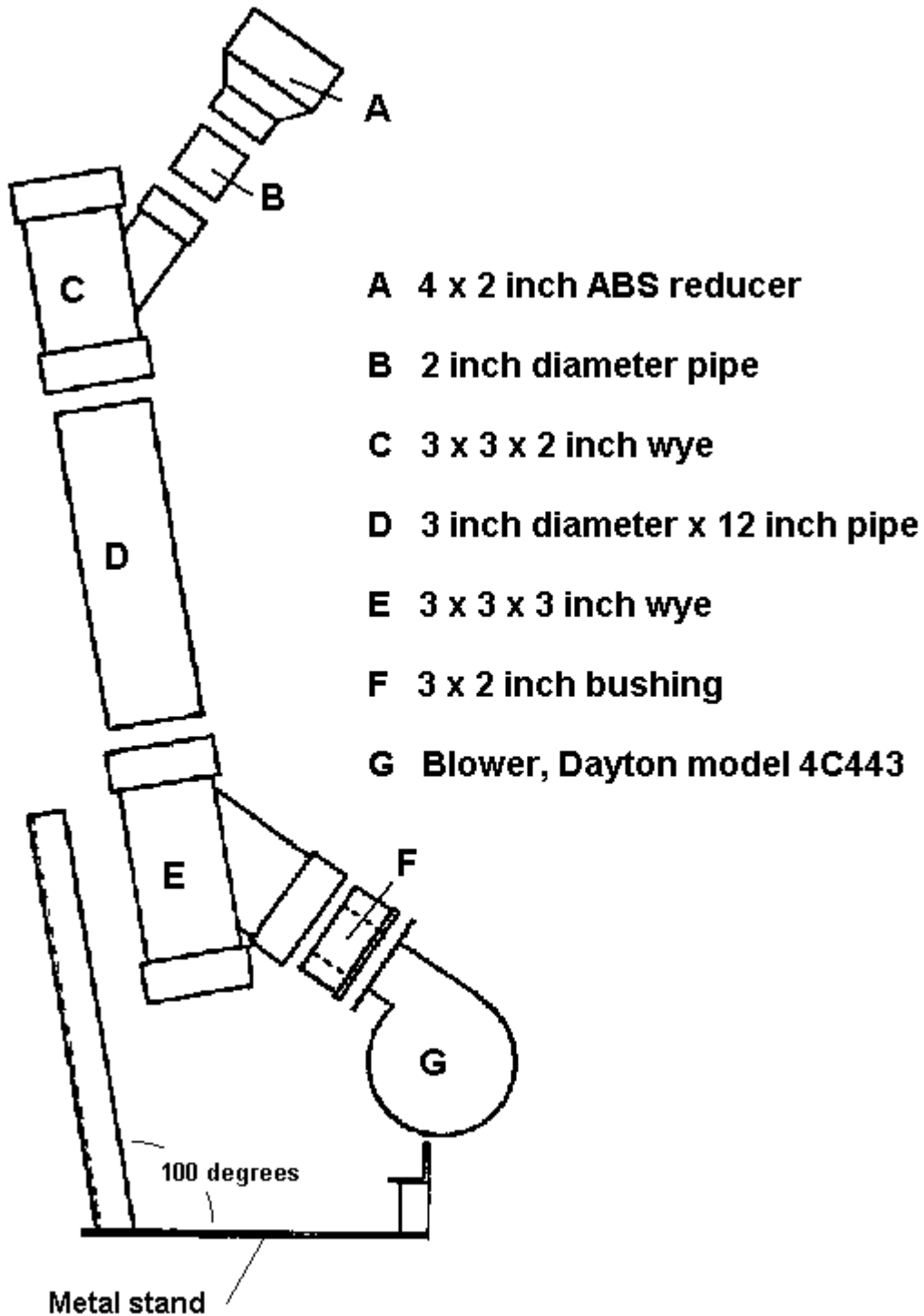
## Small Electric Winnower

By Allen Dong and Roger Edberg, I-Tech PO Box 413, Veneta OR 97487

[www.efn.org/~itech/](http://www.efn.org/~itech/)

Public Domain, no copyright

2/1986



Small electric winnower with metal stand.

Operation:

The winnower separates seeds from chaffs by blowing the less dense chaff away from the seeds as the seeds fall down a column of air. Seed and chaff mixture is placed in the winnower inlet (A). Seeds and denser material drop down the air column (C, D and E) and exit at the bottom (E). Less dense material enters the air column at "C" and is blown out through the top (C). The blower (G) pushes air in at (F) and out through the top (C). The airflow is regulated with a baffle that partially blocks the air exhaust on the blower (G, Dayton 4C443). A baffle can be made by cutting a 1 inch slot on the side of F, insert a 1 inch metal plate into the slot to partially block the exhaust air from the blower.